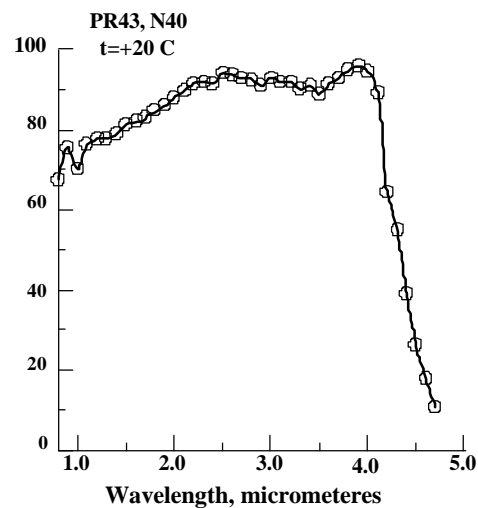


PR43 MID-IR PHOTORESISTOR

Material: PbSe

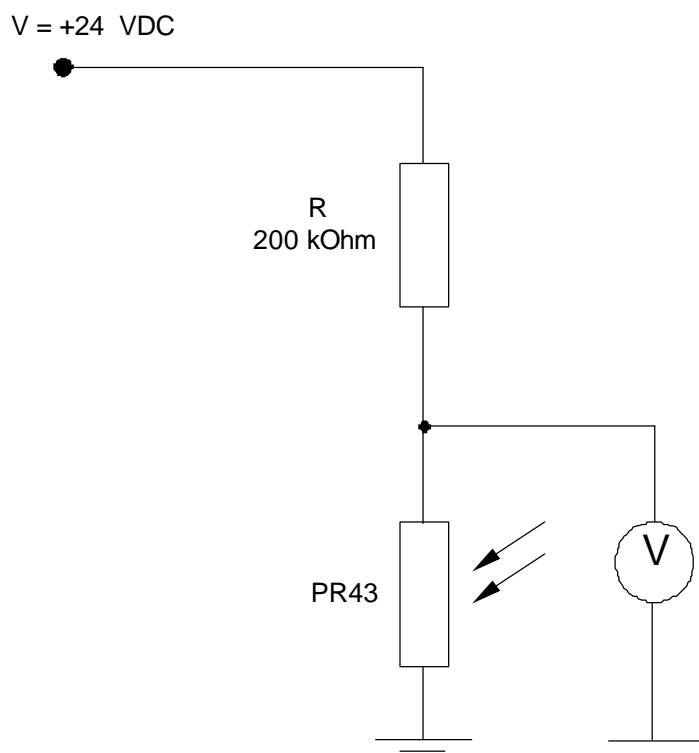
TECHNICAL SPECIFICATIONS (Ta = 20°C)

Wavelength range (50%)	1.00 - 4.40 μm
Maximum responsivity (>90%)	2.00 – 3.8 μm
Zero bias resistance (10 mV)	0.15 - 0.35 MOhm
D* (573K, 1200 Hz, 143 Hz)	(5-10) $10^8 \text{ W}^{-1} \text{ cm Hz}^{1/2}$
Voltage / Watt sensitivity	200 - 500 V/W
Rise and fall times of photocurrent pulse	5 μs
Photosensitive area	2.0 x 1.8 mm?
Package	TO-5



Spectra - Laser

Application note for PR43 MID-IR photoresistor



Spectra - Laser